

Course: ECE 53a
Quiz #1
Instructor: Pamela Cosman
Date: 1/28/09

First Name: _____

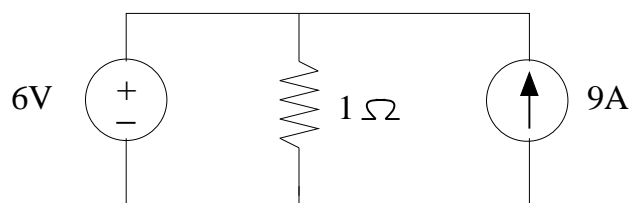
Last Name: _____

There are 4 problems.
The problems are worth different numbers of points, as listed here.

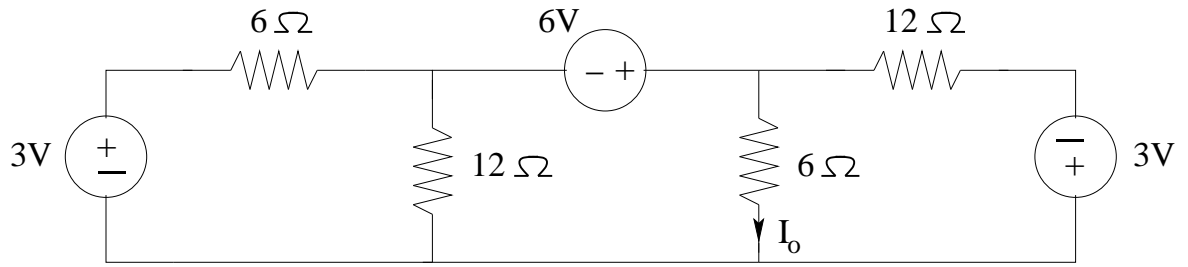
Problem	Possible	Score
1	9	
2	10	
3	11	
4	10	
Total	40	

This quiz is **CLOSED BOOK, NO CALCULATORS ALLOWED.**
You are allowed **ONE** page of notes, 8.5 by 11.
You need to show your work for all problems.

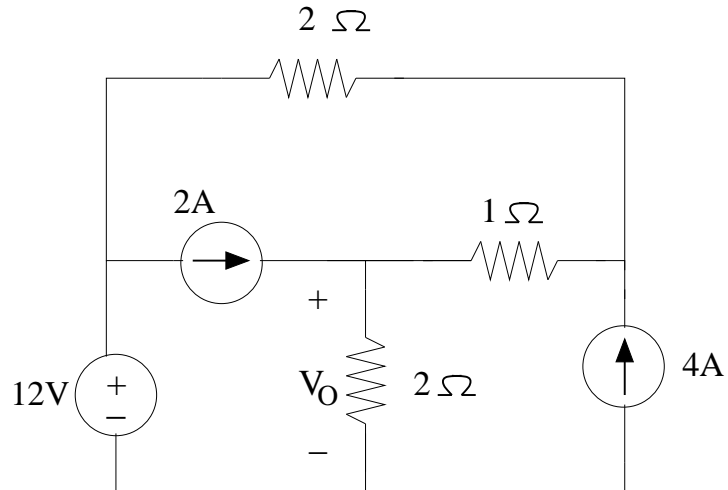
Problem 1: Find the power absorbed or supplied by each of the three components in this circuit. For each one, make it clear whether your answer is a power supplied, or a power absorbed.



Problem 2: Find I_o in the following circuit using nodal analysis:



Problem 3: Find V_0 in the following circuit using mesh analysis. Hint: you can use a KVL supermesh equation.



Problem 4: Find (and draw) the Thevenin equivalent of the following circuit at the terminals A-B:

