

Fig. P2.34

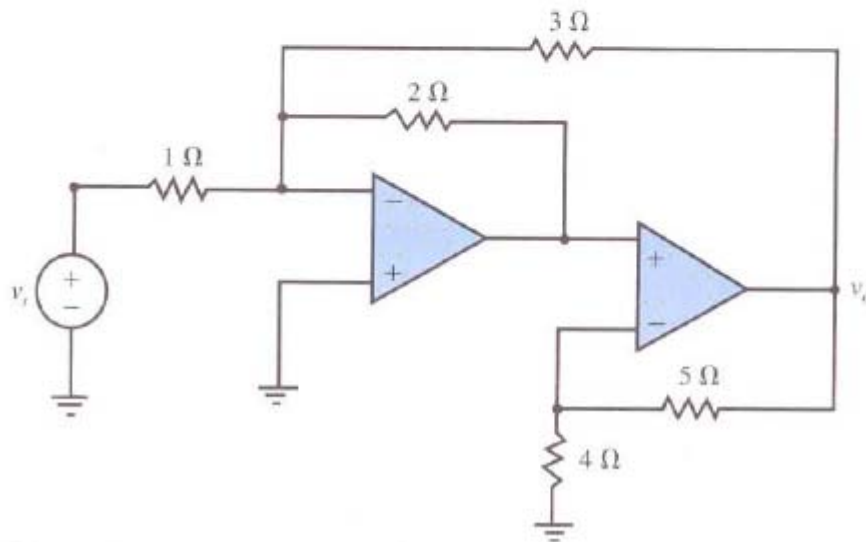


Fig. P2.36

**2.43** Find the Norton equivalent of the circuit shown in Fig. P2.43.

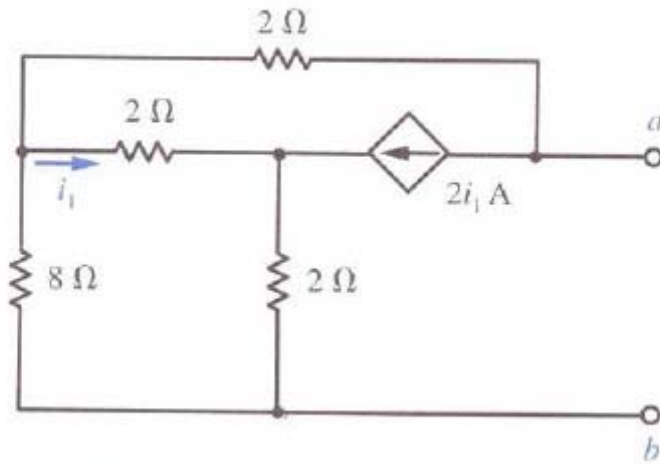


Fig. P2.43

**2.44** Find the Thévenin equivalent of the circuit shown in Fig. P2.44.

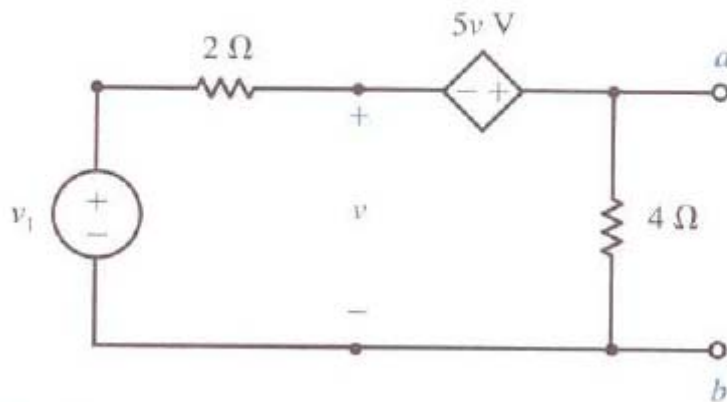


Fig. P2.44